

- Heavy Duty Industrial Design
- PVC | PP | PVDF Plastic Submersible Sensor
- Epoxy Coated Heavy Duty Enclosure | Display



The new TankPro Series Submersible Level Sensor converts the level proportional hydrostatic pressure into a standardized 4-20mA signal. The sensor consists of a corrosion thermoplastic sensor with mechanical protection IP68 piezoresistive ceramic diaphragm. The sensor cable has a PTFE Teflon® encapsulate and contains a ventilation tube for reference to the atmosphere.

The back-lit display provides accurate visual indication of the process level measurement.

The new external three-button menu function makes it simple to program and operate.

MAIN PARAMETERS	
Pressure Types	Submersible Pressure Sensor
Measuring Range	0'-14'   0'-20' 0'-34'   0'-54'
Output Signal	4-20mA
Reference Accuracy	±0.5%
Measuring Medium	Liquids
Field of Application	Liquid Level Measurement

SPECIFICATIONS	
Level ft/H <sub>2</sub> O	14    20    33.5    54
Overpressure    psi	21    29    29    58
Burst Pressure >    psi	29    58    58    72
Output Signal/Supply	2-wire : 4-20mA Loop Powered Optional - 4-20mA + HART   0-5VDC Modbus - RTU   RS485
Accuracy	±0.5%
Influence Effects	Supply : 0.05% Full Scale   10V Load : 0.05% Full Scale   K
Long term stability	< ±0.1% Full Scale over One Year
Response time	<10 msec or better
Thermal Error	< ±0.2% FSO/K in compensated range -25 - 70°C   -13 - 158°F
Permissible Temp	PVC 0 - 60°C   32 - 140°F   PP -20 - 80°C -4° - 180°F   PVDF -20 - 80°C Medium -4 - 180°F   Storage -10 - 60°C
Short-circuit Protection	Permanent
Reverse Polarity Protection	No Damage to Sensor
Electromagnetic Compatibility	Emission Immunity according to EN 61326
Short-circuit Protection	Permanent

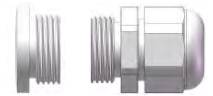
\* Also available in 316 SS Version

### Enclosure Selection

Item	Description
Electrical Connection	Aluminum-alloy terminal - 2 cable entry M20*1.5(F)   red body   white cover
Cable Entry Protector	Waterproof connector M20*1.5 one side   blind plug another side   PVC material   6-8mm diameter cable   IP67
	Flame proof   ½ NPT(F) one side   blind plug other side   stainless steel material   6-8mm diameter cable   IP67
	Flame proof, M20X1.5(F) one side   blind plug other side   stainless steel material   6-8mm diameter cable   IP67



Housing



Standard Cable Entry Protective Adaptor

### Transmission Module

Item	Description
Output signal	4-20mA two wire power supply : 10.5 - 55VDC
	4-20mA + HART two wire power supply : 16.5 - 55VDC
Display	Without display
	With LCD display

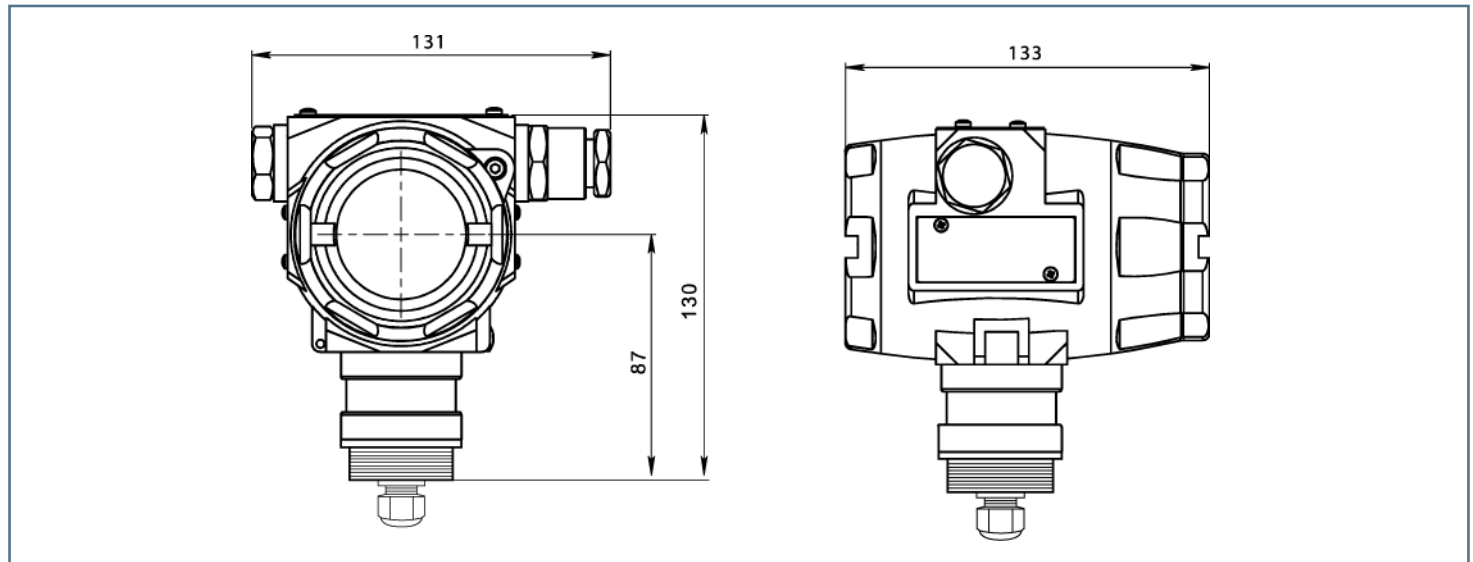


Display module(C)



Terminals

### Drawing Dimension



### ORDERING

Part Number	Input	Material	Output
0-14'	191-1001-A113302F	PVC	4-20mA
0-14'	191-1001-B113302F	PP	4-20mA
0-14'	191-1001-E113302F	PVDF	4-20mA

