



Features - PVC Gray, PVC Clear & CPVC

Spears® Y-type sediment strainers are the perfect choice for in-line removal of suspended solids, sediment, dirt and debris. Convenient removable strainer basket allows quick cleaning with an assortment of screen mesh sizes to meet a variety of application needs. Spears® Y-Strainers are produced from PVC Gray, PVC Clear for fluid visibility and CPVC Gray for higher temperatures. Available with socket, Special Reinforced (SR) threads, flanged, or True Union socket and SR threaded end connectors in IPS sizes 1/2" - 4".

Sample Engineering Specification

All sediment strainers shall be Y-type constructed from PVC Type I, ASTM D 1784 Cell Classification 12454 or CPVC Type IV, ASTM D 1784 Cell Classification 23447. All O-rings shall be EPDM or FKM. All Y-strainers shall have replaceable PVC, CPVC or Type 316 stainless steel screens and O-ring sealed drain plugs with magnetic drain plug option. All threaded Y-Strainers shall have Special Reinforced (SR) threads. All Y-Strainers, sizes 1/2" - 2" shall be pressure rated to 150 psi, sizes 3" - 4" to 90 psi for water at 73°F, as manufactured by Spears® Manufacturing Company.

- Provides In-line Protection of Process Equipment
- PVC, CPVC or PVC Clear Construction
- EPDM or FKM O-ring Seals
- Removable Strainer Basket with O-ring Sealed Drain Plug Allows Quick-Flushing or Bleed-Off Valve Connection
- Multiple Strainer Screen Options in PVC, CPVC, and Type 316 Stainless Steel (see Mesh Code table)
- Optional Magnetic Drain Plug for Ferrous Metal Pickup
- Suitable for Horizontal or Vertical Installation
- Sizes 1/2" - 2" Pressure Rated to 150 psi @ 73°F
 Sizes 3" - 4" to 90 psi @ 73°F
- Assembled with Silicone-Free, Water Soluble Lubricants

Quick-View Y-Strainer Selection Chart

Valve Size	O-ring Material	PVC Material ^{1,2,3}						Pressure Rating
		Socket	SR Threaded	Flanged	Socket Union	Threaded Union	SR Threaded Union	
1/2	EPDM	YS22P__-005	YS21P__-005SR	YS23P__-005	YS2AP__-005	YS2BP__-005	YS2BP__-005SR	150 psi Non-Shock Water @73°F
	FKM	YS32P__-005	YS31P__-005SR	YS33P__-005	YS3AP__-005	YS3BP__-005	YS3BP__-005SR	
3/4	EPDM	YS22P__-007	YS21P__-007SR	YS23P__-007	YS2AP__-007	YS2BP__-007	YS2BP__-007SR	
	FKM	YS32P__-007	YS31P__-007SR	YS33P__-007	YS3AP__-007	YS3BP__-007	YS3BP__-007SR	
1	EPDM	YS22P__-010	YS21P__-010SR	YS23P__-010	YS2AP__-010	YS2BP__-010	YS2BP__-010SR	
	FKM	YS32P__-010	YS31P__-010SR	YS33P__-010	YS3AP__-010	YS3BP__-010	YS3BP__-010SR	
1-1/4	EPDM	YS22P__-012	YS21P__-012SR	YS23P__-012	YS2AP__-012	YS2BP__-012	YS2BP__-012SR	
	FKM	YS32P__-012	YS31P__-012SR	YS33P__-012	YS3AP__-012	YS3BP__-012	YS3BP__-012SR	
1-1/2	EPDM	YS22P__-015	YS21P__-015SR	YS23P__-015	YS2AP__-015	YS2BP__-015	YS2BP__-015SR	
	FKM	YS32P__-015	YS31P__-015SR	YS33P__-015	YS3AP__-015	YS3BP__-015	YS3BP__-015SR	
2	EPDM	YS22P__-020	YS21P__-020SR	YS23P__-020	YS2AP__-020	YS2BP__-020	YS2BP__-020SR	
	FKM	YS32P__-020	YS31P__-020SR	YS33P__-020	YS3AP__-020	YS3BP__-020	YS3BP__-020SR	
3	EPDM	YS22P__-030	YS21P__-030SR	YS23P__-030	YS2AP__-030	YS2BP__-030	YS2BP__-030SR	90 psi Non-Shock Water @73°F
	FKM	YS32P__-030	YS31P__-030SR	YS33P__-030	YS3AP__-030	YS3BP__-030	YS3BP__-030SR	
4	EPDM	YS22P__-040	YS21P__-040SR	YS23P__-040	YS2AP__-040	YS2BP__-040	YS2BP__-040SR	
	FKM	YS32P__-040	YS31P__-040SR	YS33P__-040	YS3AP__-040	YS3BP__-040	YS3BP__-040SR	

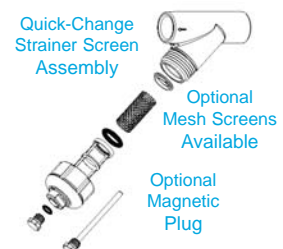
Enter Mesh Code in part number blank as specified in table.
 (Contact Spears® for additional strainer sizes).

- 1: For CPVC body & strainer screen unit, replace the letter "P" before the dash separator with the letter "C" and add the letter "C" to the part number (e.g., YS22C8-020C)
- 2: For stainless steel strainer screens, replace the letter "P" (or "C") before the dash separator with the letter "S" (e.g., YS22S8-020; YS22S8-020C)
- 3: For PVC Clear Y-Strainer, add the letters "CL" to the part number (e.g., YS22P8-005CL)

Note: End connections for PVC Clear threaded and flanged Y-strainers are PVC Gray components.

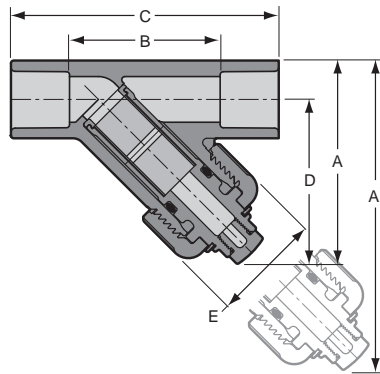
Mesh Codes for PVC, CPVC & SS

Mesh	Sieve Opening Size (in.)	Mesh Code
8 Mesh	0.094	8
12 Mesh	0.062	12
20 Mesh	0.033	20
30 Mesh	0.024	30



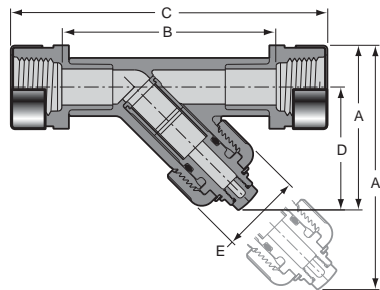


Strainers & Filters Technical Information Industrial Strainers & Filters



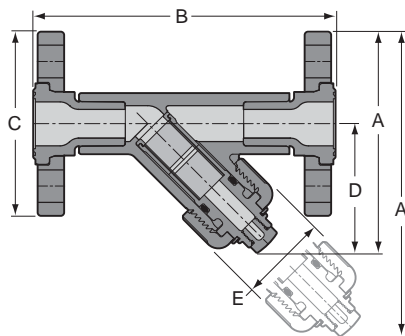
Socket Y-Strainer Dimensions & Weights

Nominal Size	Dimension Reference (inches, ± 1/16)						Approx. Wt. (Lbs.)	
	A ¹	A	B	C	D	E	Socket	
							PVC	CPVC
1/2	5	3-1/16	1-9/16	3-3/8	2-9/16	1-5/8	.31	.33
3/4	5-3/4	3-11/16	2	4	3	2	.50	.53
1	6-7/8	4-7/16	2-1/2	4-3/4	3-5/8	2-1/4	.85	.90
1-1/4	8-5/32	5-5/16	3-1/16	5-9/16	4-1/4	2-13/16	1.21	1.28
1-1/2	9-1/8	6	3-9/16	6-5/16	4-7/8	3-3/16	1.66	1.76
2	11-3/4	7-5/8	4-1/2	7-1/2	6-3/16	3-1/2	2.96	3.10
3	15	9-11/16	6-9/16	10-5/16	7-5/8	5-1/8	5.34	5.64
4	19-11/16	12-1/2	8-5/8	13-1/8	9-7/8	6-9/16	9.97	10.45



SR Threaded Y-Strainer Dimensions & Weights

Nominal Size	Dimension Reference (inches, ± 1/16)						Approx. Wt. (Lbs.)	
	A ¹	A	B	C	D	E	SR Threaded	
							PVC	CPVC
1/2	6-1/2	4-11/16	3-5/8	5-1/16	4	2-3/8	.31	.33
3/4	7-5/8	5-7/16	4-3/8	5-13/16	4-9/16	2-3/8	.50	.53
1	8-5/8	6-1/8	5-3/16	7	5-1/8	2-3/8	.85	.90
1-1/4	11-1/8	7-3/4	6	7-15/16	6-1/2	3-1/2	1.21	1.28
1-1/2	12-1/4	8-7/8	6-15/16	8-13/16	7-1/2	3-1/2	1.66	1.76
2	14-1/16	10-3/16	8-1/8	10-1/8	8-1/2	3-1/2	2.96	3.10
3	20	14-13/16	11	14-1/4	12-7/16	6-5/8	5.34	5.64
4	25-13/16	18-1/2	14	14-3/4	15-5/8	7-15/16	9.97	10.45



Flanged Y-Strainer Dimensions & Weights

Nominal Size	Dimension Reference (inches, ± 1/16)						Approx. Wt. (Lbs.)	
	A ¹	A	B	C	D	E	Flanged	
							PVC	CPVC
1/2	5-13/16	4-3/16	5-11/16	3-1/2	2-1/2	1-5/8	.82	.85
3/4	7-1/8	5	6-7/16	3-7/8	3-1/8	2	1.23	1.28
1	8-3/16	5-3/4	7-1/4	4-1/4	3-5/8	2-1/4	1.70	1.81
1-1/4	9-7/16	6-9/16	8-1/8	4-5/8	4-9/32	2-13/16	2.40	2.52
1-1/2	10-7/16	7-3/8	9-3/16	5	4-7/8	3-3/16	3.07	3.25
2	13-1/4	9-1/8	10-3/8	6	6-3/16	3-1/2	5.20	5.42
3	16-21/32	11-3/8	12-1/32	7-1/2	7-5/8	5-1/8	9.44	10.07
4	21-19/32	14-5/16	14-9/16	9-1/16	9-7/8	6-9/16	14.87	16.15

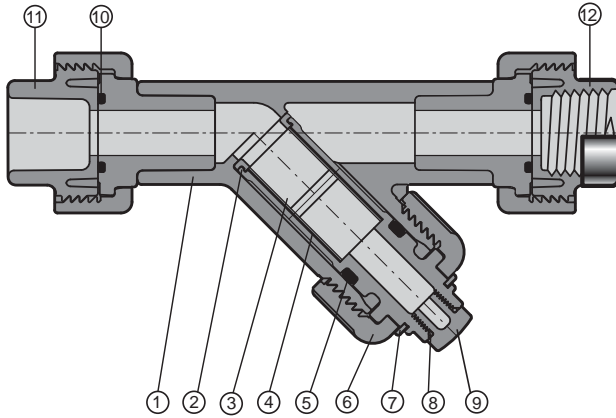
Note: 4" flanged Y-strainer uses split flange ring

True Union Y-Strainer Dimensions & Weights

Nominal Size	Dimension Reference (inches, ± 1/16)							Approx. Wt. (Lbs.)		
	A ¹	A	B		C		D	E	Union	
			Socket	SR Thread	Socket	SR Thread			PVC	CPVC
1/2	5	3-7/16	5-1/8	5-1/2	6-7/8	7	2-1/2	1-5/8	.49	.53
3/4	6-3/16	4-1/8	5-7/8	6-7/16	7-7/8	7-7/8	3	2	.80	.85
1	7-5/16	4-7/8	6-1/2	7-3/8	8-3/4	9	3-5/8	2-1/4	1.13	1.20
1-1/4	8-5/8	5-13/16	7-7/16	6-3/16	9-15/16	10-1/8	4-1/4	2-13/16	1.84	1.90
1-1/2	9-3/4	6-5/8	8-3/16	9	10-15/16	10-15/16	4-7/8	3-3/16	2.44	2.52
2	12-7/16	8-15/16	9-7/16	10-13/16	12-7/16	12-13/16	6-3/16	3-1/2	4.33	4.45
3	16-1/6	10-3/4	12-3/16	13-15/16	16	16-3/4	7-5/8	5-1/8	10.35	10.55
4	20-15/16	13-3/4	15-5/16	17-1/2	19-13/16	20-1/2	9-7/8	6-9/16	18.51	18.80

Strainers & Filters Technical Information

Industrial Strainers & Filters



Replacement Parts

NO.	COMPONENT	QTY.	MATERIAL
1	Body ¹ (SOC/SR/FLANGE/UNION)	1	PVC/PVC CLEAR/CPVC
2	Screen Support Ring	1	PVC/CPVC
3	Screen	1	PVC/CPVC/SS 316
4	Screen Support Housing	1	PVC/CPVC
5	Housing O-ring	1	EPDM/FKM
6	Bonnet Nut	1	PVC/CPVC
7	Retaining Clip	1	PP
8	Plug O-ring	1	EPDM/FKM
9	Plug	1	PVC/CPVC
10	Union O-ring	2	EPDM/FKM
11	Union Socket End	2	PVC/CPVC
12	Union SR Threaded End	2	PVC/CPVC

- 1 - Body Includes: Body (1), Spigot Adapters (2), SS Collars (2)
- Flange Body Includes: Body (1), Spigot Hubs (2), Flange Rings (2)
- Union Body Includes: Body (1), Spigot Ends (2), Nuts (2)

Temperature Pressure Rating

System Operating Temperature °F (°C)			100 (38)	110 (43)	120 (49)	130 (54)	140 (60)	150 (66)	160 (71)	170 (77)	180 (82)	190 (88)	200 (93)	210 (99)
Strainer Pressure Rating psi (MPa)	1/2" - 2"	PVC	150 (1.03)	135 (.93)	110 (.76)	75 (.52)	50 (.34)	-0-	-0-	-0-	-0-	-0-	-0-	-0-
		CPVC	150 (1.03)	140 (.97)	130 (.90)	120 (.83)	110 (.76)	100 (.70)	90 (.62)	80 (.55)	70 (.48)	60 (.41)	50 (.34)	-0-
	3" - 4"	PVC	90 (.70)	85 (.62)	75 (.52)	60 (.41)	40 (.30)	-0-	-0-	-0-	-0-	-0-	-0-	-0-
		CPVC	90 (.70)	85 (.62)	80 (.55)	75 (.52)	70 (.48)	60 (.41)	50 (.34)	45 (.31)	40 (.30)	35 (.24)	30 (.21)	-0-

Drain Plug Tap Size

Y-Strainer Size	Tap Size (NPT)
1/2	1/4 - 18
3/4	1/4 - 18
1	3/8 - 18
1-1/4	1/2 - 14
1-1/2	1 - 11 - 1/2
2	1 - 11 - 1/2
3	1 - 11 - 1/2
4	1 - 11 - 1/2

Y-Strainer Cv

Nominal Size	Plastic Strainer Mesh			
	8	12	20	30
1/2	5.5	5.4	5.3	5.2
3/4	8.2	7.8	7.5	7.2
1	14.3	13.9	13.6	13.3
1-1/4	33.6	32.9	29.4	25.4
1-1/2	43.8	41.6	33.0	32.1
2	50.6	50.0	49.6	48.8
3	75.2	74.6	74.0	73.4
4	169.5	169.0	168.8	168.0

Gallons per minute at 1 psi pressure drop.
Plastic Strainers are perforated PVC or CPVC screens.
Standard is mesh.





Sample Engineering Specification

All thermoplastic Basket Strainers shall be fabricated from PVC Type I, ASTM D 1784 Cell Classification 12454 or CPVC Type IV, ASTM D 1784 Cell Classification 23447 material. All O-rings shall be EPDM or FKM. Strainer baskets shall be perforated PVC, CPVC, or type 316 stainless steel, or type 316 stainless steel wire mesh. Standard strainer perforations shall be 1/8" or 3/32" with a minimum open area ratio of 6:1, or specified perforation/mesh opening. Basket strainer sizes 1/2" - 8" shall have quick

release clamp retained bonnet, sizes 10" - 12" shall have bolt-on bonnet. Sizes 1-1/4" and larger Basket Strainers shall have pressure release valve and safety pressure gauge. Unit shall be equipped with O-ring sealed drain plug at lower end. Basket Strainer sizes 1/2" - 8" shall be pressure rated at 150 psi, sizes 10" - 12" to 50 psi for water at 73°F, as manufactured by Spears® Manufacturing Company.

Features – PVC, CPVC

Spears® fabricated Basket Strainers are constructed of heavy bodied PVC or CPVC. Available in IPS sizes 1/2" through 12" with choice of socket, spigot or flanged ends and EPDM, FKM or PTFE encapsulated O-ring seals. A convenient quick release clamp cap is equipped with safety pressure gauge and pressure release ball valve for safer system operation and strainer cleaning. Additional drain plug allows complete drain and flush of unit. Designed to remove unwanted solids from plastic or metal piping systems, Spears® Basket Strainers are ideal for protecting valves, filters, pumps, nozzles or other liquid control devices in corrosive or non-corrosive fluid systems.

- Chemical & Corrosion Resistant PVC or CPVC Construction
- Convenient Quick-Release Clamp For easy Bonnet Removal (Bolt-on Bonnet on Sizes 10" & 12")
- Includes Pressure Release Valve and 0-160 psi Safety Pressure Gauge on sizes 1-1/4" & larger¹ (O-ring sealed plugs provided if valve/gauge not used)
- O-ring Sealed Drain Plug
- EPDM or FKM O-ring Seals
- Perforated PVC & CPVC Strainer Baskets in a Variety of Sizes. Stainless Steel Available in perforation and Multiple Mesh Sizes
- High Volume 6:1 Open Area Ratio
- Sizes 1/2" - 8" Pressure Rated to 150 psi @ 73°F
 Sizes 10" - 12" Pressure Rated to 50 psi @ 73°F
- Assembled with Silicone-Free Seal Lubricants.

1: Commercial bronze bourdon-tube type pressure gauge w/brass NPT inlet. Check for any chemical compatibility issues. Contact Spears® for PVC, CPVC or PP Gauge Guard isolation devices available.

Quick-View Basket Strainer Selection Chart

Valve Size	O-ring Material	PVC Part Numbers ^{1,2,3}			Pressure Rating	
		Socket	Spigot	Flanged		
1/2	EPDM	BS22P__-005	BS27P__-005	BS23P__-005	150 psi Non-Shock Water @ 73°F	
	FKM	BS32P__-005	BS37P__-005	BS33P__-005		
3/4	EPDM	BS22P__-007	BS27P__-007	BS23P__-007		
	FKM	BS32P__-007	BS37P__-007	BS33P__-007		
1	EPDM	BS22P__-010	BS27P__-010	BS23P__-010		
	FKM	BS32P__-010	BS37P__-010	BS33P__-010		
1-1/4	EPDM	BS22P__-012	BS27P__-012	BS23P__-012		
	FKM	BS32P__-012	BS37P__-012	BS33P__-012		
1-1/2	EPDM	BS22P__-015	BS27P__-015	BS23P__-015		
	FKM	BS32P__-015	BS37P__-015	BS33P__-015		
2	EPDM	BS22P__-020	BS27P__-020	BS23P__-020		
	FKM	BS32P__-020	BS37P__-020	BS33P__-020		
2-1/2	EPDM	BS22P__-025	BS27P__-025	BS23P__-025		
	FKM	BS32P__-025	BS37P__-025	BS33P__-025		
3	EPDM	BS22P__-030	BS27P__-030	BS23P__-030		
	FKM	BS32P__-030	BS37P__-030	BS33P__-030		
4	EPDM	BS22P__-040	BS27P__-040	BS23P__-040		
	FKM	BS32P__-040	BS37P__-040	BS33P__-040		
6	EPDM	BS22P__-060	BS27P__-060	BS23P__-060		
	FKM	BS32P__-060	BS37P__-060	BS33P__-060		
8	EPDM	BS22P__-080	BS27P__-080	BS23P__-080		
	FKM	BS32P__-080	BS37P__-080	BS33P__-080		
10	EPDM	BS22P__-100	BS27P__-100	BS23P__-100		50 psi Non-Shock Water @ 73°F
	FKM	BS32P__-100	BS37P__-100	BS33P__-100		
12	EPDM	BS22P__-120	BS27P__-120	BS23P__-120		
	FKM	BS32P__-120	BS37P__-120	BS33P__-120		

Enter Mesh Code in part number blank as specified in table.

(Contact Spears® for additional strainer sizes).

- 1: For CPVC body & strainer screen unit, replace the letter "P" before the dash separator with the letter "C" and add the letter "C" to the part number (e.g., BS22C8-020C)
- 2: For stainless steel strainer screens, replace the letter "P" (or "C") before the dash separator with the letter "S" (e.g., BS22S8-020; BS22S8-020C)
- 3: For Basket Strainers with PTFE O-rings replace the number 2 with the number 5 (e.g. BS53P-010)

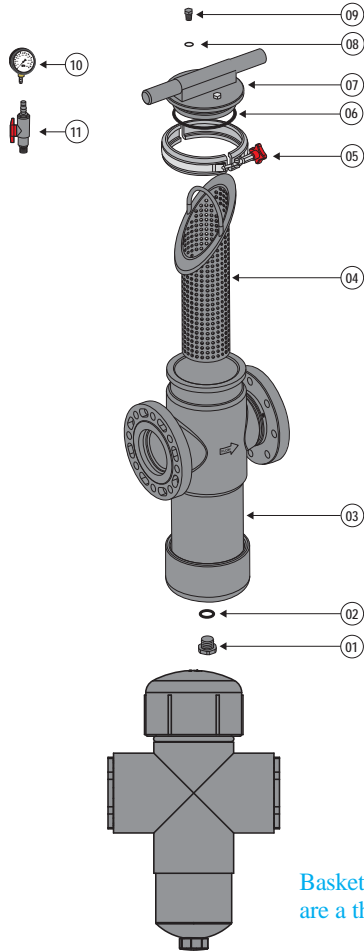
Special Options

- PTFE Encapsulated O-ring Seals
- Bonnet Sight Glass

Perforation Mesh Codes

Perforation Size (in.)	Mesh Code
1/16	12
3/32	8
1/8	6
3/16	4
1/4	3
3/8	2

Example: BS22P6-020
 Additional perforation and mesh sizes available upon request.

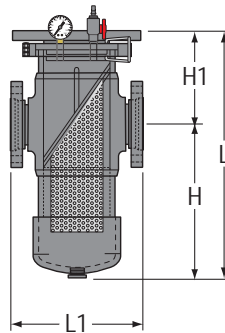


Replacement Parts

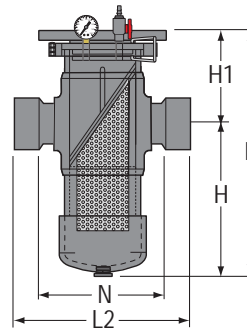
No.	Component	Quantity	Material
1	Drain Plug	1	PVC/CPVC
2	Drain Plug O-ring	1	EPDM/FKM/PTFE
3	Body	1	PVC/CPVC
4	Strainer Basket	1	PVC/CPVC /316 Stainless Steel
5	Bonnet Clamp	1	SS 316
6	Bonnet O-ring	1	EPDM/FKM/PTFE
7	Bonnet	1	PVC/CPVC
8	Plug O-ring	2	EPDM/FKM/PTFE
9	Gauge Port Plug	2	PVC/CPVC
10	Pressure Gauge	1	0-160 psi (1-1/4" & up)
11	Pressure Relief Valve	1	PVC/CPVC (1-1/4" & up)

- Notes:**
- 1) Bolt-on Bonnet on Sizes 10" & 12".
 - 2) Port plugs for use when pressure gauge and relief valve are not installed.
 - 3) Valve O-rings correspond to Strainer Basket Specification.

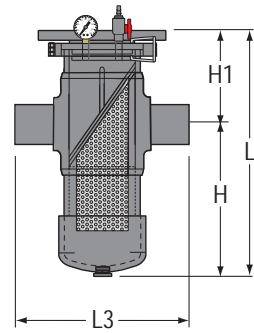
Flanged Style



Socket Style



Spigot Style



Basket Strainer sizes 1/2" through 1" bonnets are a threaded cap with O-ring seal.

Dimensions, Weights & Cv Values

Size	H	H ¹	L	L ¹	L ²	L ³	N	Approx. Wt. (Lbs.)		Cv
								Socket/ Spigot	Flanged	
1/2	5-7/8	4-9/16	10-7/16	9-1/4	6-13/16	9-9/16	5-1/8	2.97	3.35	4.5
3/4	5-7/8	4-9/16	10-7/16	9-1/4	6-7/16	9-7/16	4-7/16	2.99	3.44	10
1	5-7/8	4-9/16	10-7/16	10-3/8	6-13/16	10-1/16	4-1/2	3.02	3.50	15
1-1/4	10-1/4	8	18-1/4	8-9/16	10-1/16	10-1/4	7-9/16	3.20	3.60	30
1-1/2	10-1/4	8	18-1/4	8-3/4	11-1/8	11	8-1/8	3.50	3.75	46
2	10-1/4	8	18-1/4	8-3/4	12-1/8	11	8-5/8	11.00	11.40	72
2-1/2	10-1/4	8	18-1/4	8-3/4	12-3/8	12-7/8	8-3/8	12.30	12.60	110
3	13-13/16	8-3/4	22-9/16	11-5/8	16-1/8	15	11-5/8	25.00	25.40	172
4	17-5/16	8-3/4	26-1/16	12	18	17-1/2	13-1/2	25.70	26.80	270
6	18-7/8	10-9/16	29-7/16	17-1/8	24-3/8	23-5/16	17-7/8	58.40	60.80	630
8	24-1/2	11-9/16	36-1/16	20-1/2	30-1/2	27-1/2	22	93.60	96.00	750
10	27-1/8	16-5/8	43-3/4	26	34-9/16	34-1/2	24-1/16	200.20	210.30	893
12	34-7/8	17-3/16	52-1/16	28-1/8	38-3/4	36-1/4	26-1/4	229.30	239.80	1063

Cv = Gallons per minute at 1 psi pressure drop.

Temperature Pressure Rating

System Operating Temperature °F (°C)		100 (38)	110 (43)	120 (49)	130 (54)	140 (60)	150 (66)	160 (71)	170 (77)	180 (82)	190 (88)	200 (93)	210 (99)	
Valve Pressure Rating psi (MPa)	1/2" - 8"	PVC	150 (1.03)	135 (.93)	110 (.76)	75 (.52)	50 (.34)	-0-	-0-	-0-	-0-	-0-	-0-	
		CPVC	150 (1.03)	140 (.97)	130 (.90)	120 (.83)	110 (.76)	100 (.70)	90 (.62)	80 (.55)	70 (.48)	60 (.41)	50 (.34)	-0-
	10" - 12"	PVC	50 (.34)	45 (.31)	40 (.30)	35 (.24)	30 (.21)	-0-	-0-	-0-	-0-	-0-	-0-	-0-
		CPVC	50 (.34)	47 (.32)	45 (.31)	42 (.83)	40 (.30)	37 (.26)	35 (.24)	30 (.21)	25 (.17)	20 (.14)	15 (.10)	-0-





Strainers & Filters Technical Information

Industrial Strainers & Filters



Features – PVC

The Suction Strainer is a special Basket Strainer design that reduces pressure drop, a critical element in suction line applications. While same-size (inlet/outlet) units are available, the enlarged inlet performs best in suction-line applications.

- Chemical & Corrosion Resistant PVC Construction
- Bolt-on Bonnet with Top Sight Glass, Standard
- Stainless Steel Strainer Basket with 3/16" Perforation, Standard
- Bottom-Drained Internal Strainer Basket for Direct Flushing
- 360° Adjustable Side Mounted Flush-Discharge Valve Assembly
- EPDM Seals Standard
- Pressure rated to 50 psi @ 73°F

Contact Spears® for additional Basket Mesh/Perforation, Elastomer seal options, or other custom requirements desired.

Sample Engineering Specification

All thermoplastic Suction Strainers shall be fabricated from PVC Type I Cell Classification 12454 material. All O-rings shall be EPDM. Strainer basket shall be type 316 stainless steel. Standard strainer perforations shall be 3/16" with a minimum open area ratio of 6:1. Basket shall have bottom-drained direct discharge with 360° adjustable side discharge assembly, including Ball Valve at terminal end. Unit shall have bolt-on bonnet with built-in sight glass. Suction strainer shall be pressure rated at 50 psi for water at 73°F, as manufactured by Spears® Manufacturing Company.

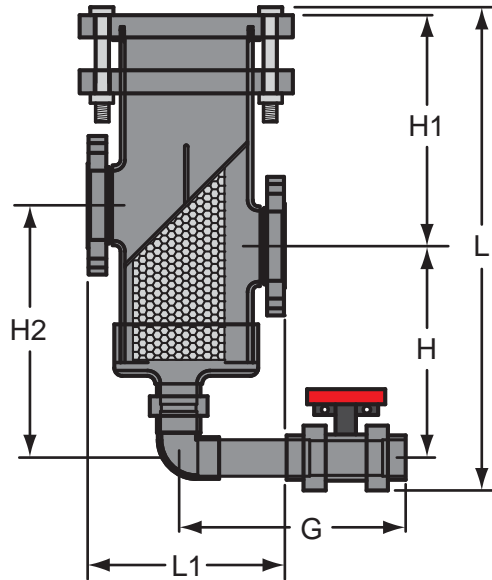
Quick-View Suction Strainer Selection Chart

Valve Size	O-ring Material	Part Numbers	Pressure Rating
		Flanged	
4	EPDM	SS23BS4SG-040	50 psi Non-Shock Water @ 73°F
4 x 2	EPDM	SS23BS4SG-420	
4 x 2-1/2	EPDM	SS23BS4SG-421	
4 x 3	EPDM	SS23BS4SG-422	
6	EPDM	SS23BS4SG-060	
6 x 4	EPDM	SS23BS4SG-532	
8	EPDM	SS23BS4SG-080	
8 x 4	EPDM	SS23BS4SG-582	
8 x 6	EPDM	SS23BS4SG-585	
10	EPDM	SS23BS4SG-100	
10 x 6	EPDM	SS23BS4SG-626	
10 x 8	EPDM	SS23BS4SG-628	
12	EPDM	SS23BS4SG-120	
12 x 8	EPDM	SS23BS4SG-668	
12 x 10	EPDM	SS23BS4SG-670	

Suction Strainer Stainless Steel Baskets 3/16" Perforation

Size	Part Number
4	SSS4-040
6	SSS4-060
8	SSS4-080
10	SSS4-100
12	SSS4-120





Dimensions

Size	G	H	H1	H2	L	L1
4	14-13/16	13-13/16	15-9/16	16-7/16	31-1/2	12-7/8
4 x 2	14-13/16	13-13/16	15-9/16	16-7/16	31-1/2	13-1/2
4 x 2-1/2	14-13/16	13-13/16	15-9/16	16-7/16	31-1/2	12-1/2
4 x 3	14-13/16	13-13/16	15-9/16	16-7/16	31-1/2	12-9/16
6	14-13/16	16-7/8	16-7/8	19-15/16	35-7/8	15-7/8
6 x 4	14-13/16	17-15/16	15-13/16	19-15/16	35-7/8	15-7/8
8	17-15/16	22-1/4	21-13/16	27-7/8	46-1/4	18
8 x 4	17-15/16	24-5/16	19-3/4	27-7/8	46-1/4	18
8 x 6	17-15/16	23-1/4	20-13/16	27-7/8	46-1/4	18-1/8
10	17-15/16	27-13/16	19-11/16	31-11/16	49-11/16	23-15/16
10 x 6	17-15/16	27-13/16	19-11/16	31-11/16	49-11/16	23
10 x 8	17-15/16	27-13/16	19-11/16	31-11/16	49-11/16	22-7/8
12	20-3/16	27-3/16	21-5/8	31-3/16	50-13/16	30
12 x 8	20-3/16	29-1/8	19-9/16	31-3/16	50-13/16	29
12 x 10	20-3/16	28-1/16	20-5/8	31-3/16	50-13/16	29-3/4

Temperature Pressure Rating

System Operating Temperature °F (°C)			100 (38)	110 (43)	120 (49)	130 (54)	140 (60)	150 (66)	160 (71)	170 (77)	180 (82)	190 (88)	200 (93)	210 (99)
Valve Pressure Rating psi (MPa)	4" - 12"	PVC	50 (.34)	45 (.31)	40 (.30)	35 (.24)	30 (.21)	-0-	-0-	-0-	-0-	-0-	-0-	-0-

