

- Non-Contact
- Senses through Wall
- Relay Output

**Conductive and Non-Conductive Liquids**

The NC30 Non-Contact liquid Level | Flow Sensor has been designed using high frequency technology to sense the presence of liquid | conductive | non conductive Suitable for Non-Metalic Tubing | Tanks | Drums | Pipe



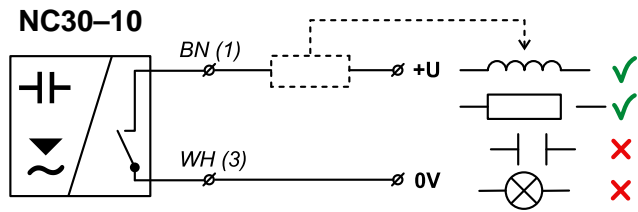
**FEATURES**

- All Plastic PP Design
- Non-Intrusive Liquid Level | Flow Detection through Plastic or Fiberglass Walls
- Small Footprint | Easy to Install
- LED Display
- M12 Disconnect or Fixed Cable Connector
- Fits on ½" - 2" Diameter Pipe | Sch 40 | 80
- Senses up to 0.3" | (8mm) Wall Thickness

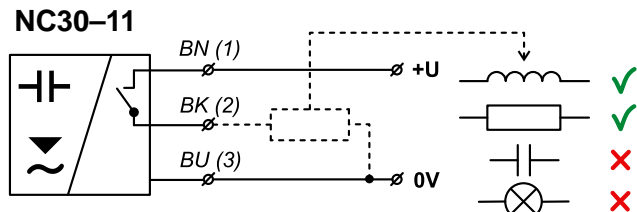
MODELS	NC30-10	- V Design sensing electrode face for piping and tubing applications.
	NC30-11	- Flat electrode for installation on drums and tanks

SPECIFICATIONS		
Supply voltage		6 -30VDC
Supply current	- Output type   Pulse - Output type   S - Relay	Max. 0.6   7mA (OFF   ON State) Max. 0.6mA (OFF State)
Switched current (Min / Max)	- Output type   Pulse - Output type   S - Relay	100mA 3.3mA   40mA
Remanent voltage – ON state	- Output type   Pulse - Output type   S - Relay	1.8 V 6.0 V
Switching frequency		Max. 1 Hz
Max. thickness of the vessel wall	- Conductive liquids - Non-conductive liquids with $\epsilon_r < 10^*$	0.3"   (8 mm) 0.11"   (3 mm)
Ambient temperature range		-20   +80° C
Temperature range at the tube or vessel surface		-20   +90° C
Housing material		Plastic (PP)
Protection class		NEMA 4X   IP67
Cable Connection		PVC PVC
Weight (including 2 m cable)		Approx. 60 g

### ELECTRICAL CONNECTION



Connection scheme of sensor with "S" type output



Connection scheme of sensor with "PNP" type output

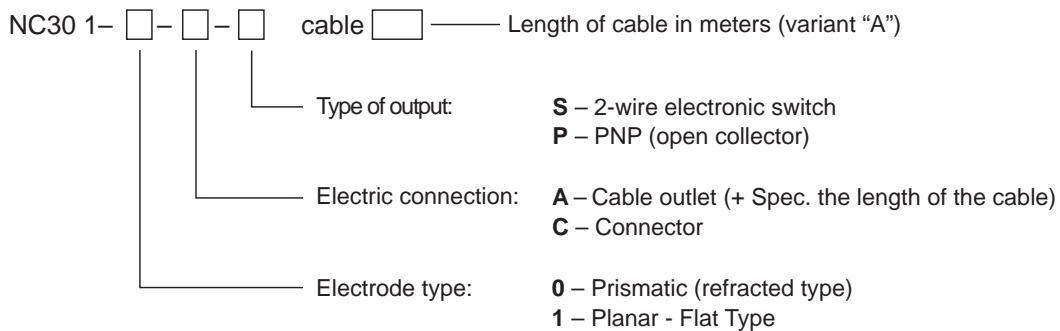
**Note:**

The sensor output is short circuit protected.  
Shielded Cable is recommended

**Legend:**

- BN – Brown
- WH – White
- BU – Blue

### ORDER CODE



### DIMENSIONS DRAWINGS

