

MAHLE

Industry

Fabricated In-Line Basket Strainers Nowata K Series

Many Customizable Options, Available in Carbon or Stainless Steel

Request a Quote Today!

1. Features

The K series fabricated, in-line, basket strainers effectively remove dirt, pipe scale, and other contaminants from process liquids such as water, chemical and petroleum products.

Standard housing material is either 316 stainless steel or carbon steel. Housings come equipped with a standard 1/8" perforated stainless steel basket.

These strainer housings have many customizable features such as material of construction, closure style, pressure rating, connection style and size, and support legs. Custom perforation sizes or mesh lined baskets are also available.

Standard Features

- Available in carbon steel or 316 stainless steel
- 150 psi working pressure rating
(Higher pressure ratings available)
- Low pressure drop
- Flange top closure
- High temperature flat seal
- Drain and vent ports
- 316 stainless steel strainer basket included

Optional Features

- Mesh lined strainer baskets
- 300 psi and higher pressure ratings
- ASME code
- Quick opening swing bolt closure
- Buna lid seal
- Support legs
- Davit arm
- Optional alloys and connection types also available
- Oversized baskets available for extended run times
- Backwashable option available



2. Standard Construction

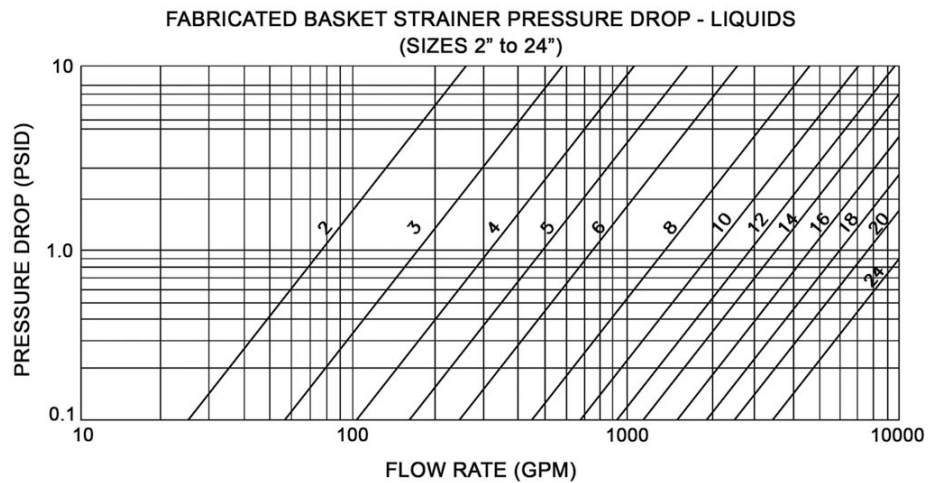
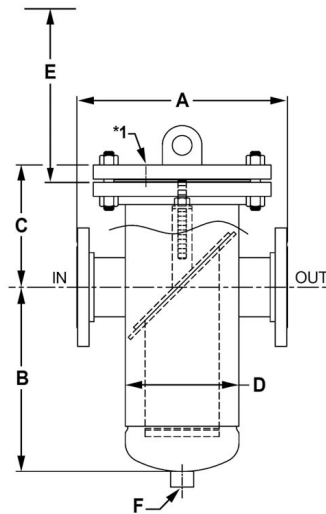
The K series fabricated in-line asket strainer housings can be built to your custom specifications. The standard housing design provides a large sump area at the bottom of the basket for particulate accumulation. This design utilizes the filter more efficiently. The 316 stainless steel strainer basket rests on a steel support ring. Optional mesh lining for strainer baskets and various materials for o-rings are available. A vent located in the housing lid and a drain port on the bottom of the housing allow fast evacuation and rapid filling.

The standard vent size is 1/4 inch. Housings that are permanently piped can be opened with simple tools without disturbing the piping. The optional swing bolts or through bolts allow easy opening and closing of the swing-lid, so there is no need to remove any hardware. As a standard finish, all vessels are blast cleaned and the outside painted with machinery enamel. Optional alloys and connection types are also available. Our in-house design team can customize housing configurations to meet your specifications.

3. Dimensional Information

Standard Strainer Inlet & Outlet Sizes (Dimensions Shown in Inches)										
Drawing Reference	2 Inches	3 Inches	4 Inches	6 Inches	8 Inches	10 Inches	12 Inches	14 Inches	16 Inches	18 Inches
A	14	15	16	20	22	32	35	37	42	42
B	12	12-1/2	14	17	21	25	28	33	36	39
C	7	8	8-1/4	9-1/2	11	13	14-1/2	15-3/4	18-1/4	18-1/4
D	6-5/8	6-5/8	8-5/8	10-3/4	12-3/4	16	18	20	24	24
E	19	19	20	25	30	35	41	42	48	52
F	1/2	1/2	1	1	1-1/2	1-1/2	1-1/2	2	2	2

Dimensions shown in inches unless otherwise noted. Specifications are for reference only and subject to change without notice. Larger sizes and custom configurations available upon request. Note: *1 = 1/4 inch FNPT vent.



4. Typical Housing Model Number

K	2	N	S6	D	U	30	E	
Basket Strainer Series	Inlet/Outlet Diameter	Inlet/Outlet Style	Body Material	Closure Style	ASME Code	Pressure Rating	Closure Seal Material	Options



Authorized MAHLE-Nowata Distributor & Representative

For pricing and information please call
Commercial Filtration Supply at (855)-236-0467

Visit us Online at: www.commercialfiltrationsupply.com
for more filtration products.