

- Tank Level Control
- Excellent Chemical Resistance

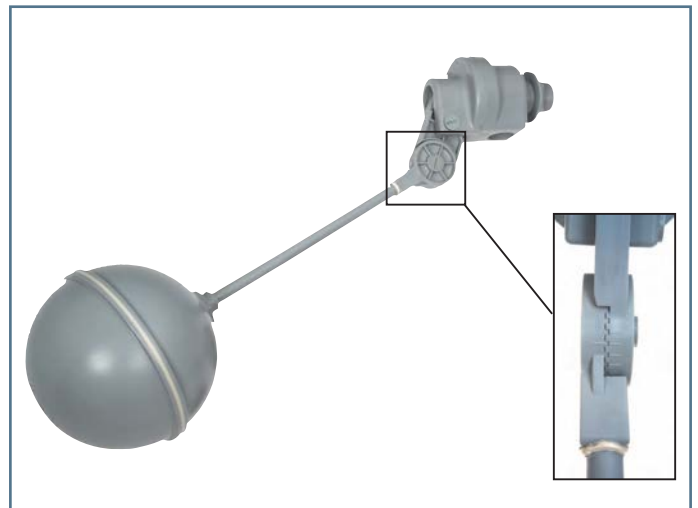
The **Floatpro Series Ball Float Valve** is a cost effective Tank | Sump Liquid Level Control Device that is Suitable for Water or Corrosive Liquids.

The Floatpro incorporates a Leak-Free Design and is Robustly Constructed. Once installed they can be left to perform the required function without the constant need for supervision.



FEATURES

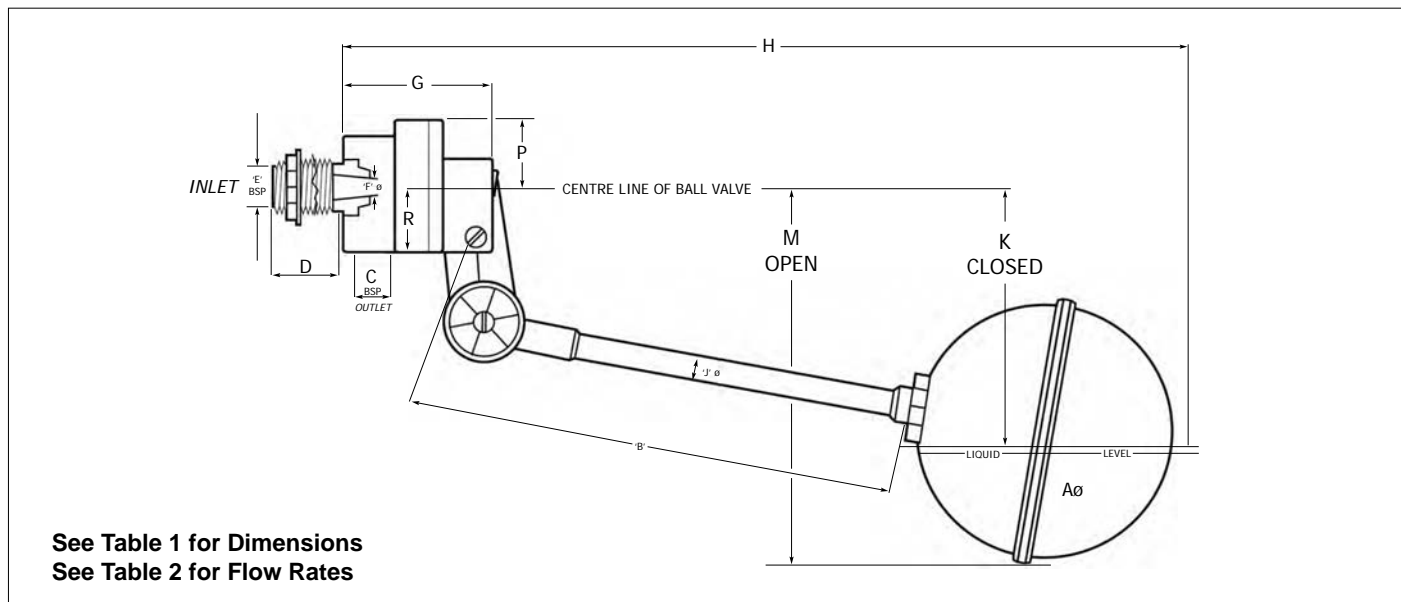
- 5 Adjustable Positions
- 3 Sizes Available
- Robust Construction
- Simple to Install
- Standard and Large Bore Orifice
- No Tools Required to Adjust the Ball
- Cost Effective Tank Level Control



ORDERING

Size	Part Number	Material
1/2"	FPS-B-05	PP
1"	FPS-B-10	PP
1 1/2"	FPS-B-15	PP

Adjustable Cam Polypropylene Ball Float Valve



Flow Rate Per Minute Constant in Gallons and Litres

Code Ref		HA/BV/1 ADJ		HA/BV/2 ADJ		HA/BV/5 ADJ		HA/BV/6 ADJ		HA/BV/7 ADJ		HA/BV/8 ADJ	
Sizes		1/2" STANDARD		1/2" LARGE BORE		1" STANDARD		1" LARGE BORE		1 1/2" STANDARD		1 1/2" LARGE BORE	
P.S.I	BAR	ORIFICE 1/4" DIAMETER		ORIFICE 3/8" DIAMETER		ORIFICE 9/16" DIAMETER		ORIFICE 13/16" DIAMETER		ORIFICE 7/8" DIAMETER		ORIFICE 1 1/4" DIAMETER	
		GALLONS	LITRES	GALLONS	LITRES	GALLONS	LITRES	GALLONS	LITRES	GALLONS	LITRES	GALLONS	LITRES
5	0.35	2.0	9.3	4.6	20.9	10.0	45.5	20.9	94.8	16.0	72.7	32.5	147.6
10	0.70	2.9	13.1	6.5	29.6	14.1	64.1	29.5	134.0	22.5	102.3	46.4	211.0
14.28	1.00	3.5	15.7	7.8	35.3	16.9	76.8	35.2	160.2	26.9	122.2	55.5	252.2
15	1.05	3.5	16.0	8.0	36.2	17.3	78.6	36.1	164.2	27.5	125.0	56.9	258.4
20	1.40	4.1	18.5	9.2	41.8	20.0	90.1	41.7	189.6	32.0	145.5	65.6	298.4
25	1.75	4.6	20.7	10.3	46.7	22.3	101.1	46.6	211.9	35.6	162.0	73.4	333.7
28.57	2.00	4.9	22.2	11.0	49.9	23.9	108.6	49.8	226.6	38.0	172.9	78.5	356.7
30	2.10	5.0	22.7	11.3	51.1	24.5	111.4	51.1	232.2	39.0	177.0	80.4	365.5
35	2.45	5.4	24.5	12.2	55.3	26.5	120.5	55.2	250.8	42.0	191.0	86.8	394.8
40	2.80	5.8	26.4	13.0	59.1	28.3	128.4	59.0	268.1	45.0	205.0	92.8	422.0
42.86	3.00	6.0	27.2	13.5	61.1	29.3	133.0	61.0	277.5	46.6	211.7	96.1	436.9
45	3.15	6.1	27.8	13.8	62.6	30.0	136.4	62.5	284.3	47.7	217.0	98.5	447.6
50	3.50	6.5	29.5	14.5	66.1	31.5	143.2	65.9	299.7	50.0	227.0	103.8	471.9
55	3.85	6.8	30.8	15.2	69.3	33.1	150.5			52.8	240.0		
57.14	4.00	6.9	31.4	15.5	70.6	33.8	153.6			53.8	244.5		
60	4.20	7.1	32.1	15.9	72.4	34.5	156.8			55.0	250.0		
65	4.55	7.4	33.4	16.6	75.3	36.0	163.6			57.3	260.0		
70	4.90	7.6	34.7	17.2	78.1	37.4	170.0			59.5	270.0		
71.43	5.00	7.7	35.1	17.4	79.0	37.8	171.7			60.1	273.3		
75	5.25	7.9	35.9	17.8	81.2	38.7	175.9			61.6	280.0		
80	5.60	8.2	37.2	18.4	83.6	40.0	181.8			63.5	289.0		
85	5.95	8.4	38.2	19.0	86.1	41.2	187.3			65.5	298.0		
85.74	6.00	8.5	38.4	19.1	86.5	41.4	188.1			65.9	299.4		
90	6.30	8.7	39.3			42.3	192.0			67.5	307.0		
95	6.65	8.9	40.4			43.5	197.7			69.3	315.0		
100	7.00	9.1	41.4			45.0	204.0			71.0	232.0		
125	8.75	10.2	46.4										
150	10.50	11.2	50.9										