



DB Series Duplex Basket Strainers

6" TO 8" PVC AND CPVC

KEY FEATURES

- PVC and CPVC
- Ergonomic Hand-Removable Cover
- Uninterrupted Flow
- No System Shutdown for Basket Cleaning
- In-Line or Loop Piping
- Integral Flat Mounting Bases
- External Cover Threads
- Hand Removable Vents on Covers
- Hand Removable Drains on Bodies
- Liquid Displacing Covers

OPTIONS

- Stainless Steel, Monel®, Hastelloy® and Titanium Strainer Baskets
- Pressure Differential Gauge and Switch
- Pneumatic or Electric Valve Automation
- Baskets Available with Perforated or Mesh Liners

MATERIALS

- PVC Cell Class 12454 per ASTM D1784
- CPVC Cell Class 23447 per ASTM D1784
- FPM and EPDM O-Ring Seals

TECHNICAL INFORMATION

BASKET OPTIONS

PERFORATION SIZES	MESH SIZES	BASKET MATERIAL
1/32"	20	SSTL, Hastelloy, Monel and Titanium
1/16"	40	
1/8"	60	
5/32"	80	
3/16"	100	
1/4"	200	
3/8"	325	
1/8"	N/A	PVC, CPVC and PP
3/16"		

SELECTION CHART

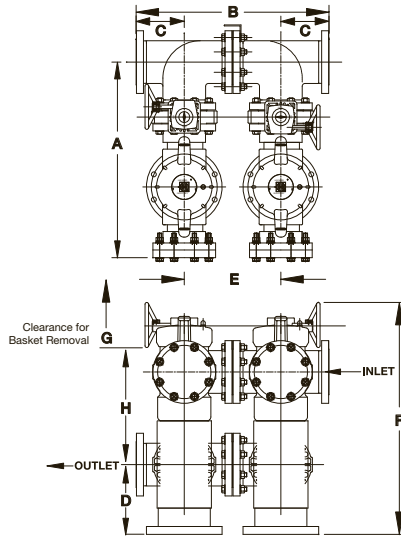
SIZE	MATERIAL	END CONNECTION	SEALS	PRESSURE RATING
6" - 8" (DN150 - DN200)	PVC or CPVC	Flanged	FPM or EPDM	150 PSI @ 70°F Non-Shock

DB Series Duplex Basket Strainers

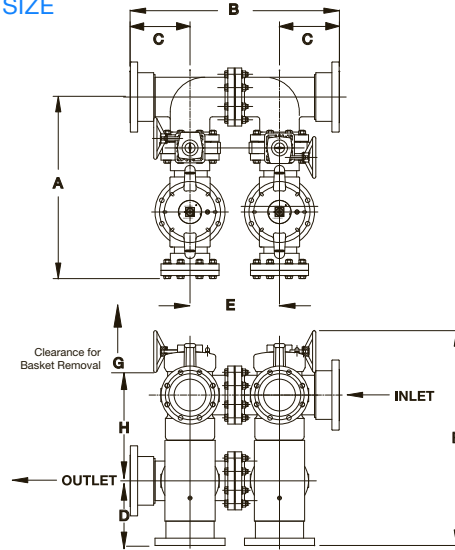
6" AND 8" PVC AND CPVC

TECHNICAL INFORMATION, CONTINUED

6" SIZE



8" SIZE



DIMENSIONS

SIZE in/DN	A in/mm	B in/mm	C in/mm	D in/mm	E in/mm	F in/mm	G in/mm	H in/mm	WEIGHT lbs/kg
6/150	34.91/887	34.42/874	8.59/218	12.45/316	17.24/438	41.40/1052	21.80/554	16.53/420	180.00/81.65
8/200	42.70/1085	53.15/1350	13.27/337	12.45/316	26.62/676	42.52/1080	28.75/730	16.53/420	250.00/113.40

Dimensions are subject to change without notice – consult factory for installation information

PRESSURE DROP CALCULATIONS

BASKET PERFORATION CORRECTION FACTORS

For 6" to 8" Strainers

Plastic		Stainless Steel			
1/8"	2.00	1/32"	2.25	20 Mesh	2.16
3/16"	1.50	1/16"	2.03	40 Mesh	2.79
		1/8"	1.58	60 Mesh	3.28
		5/32"	1.00	80 Mesh	3.18
		3/16"	1.26	100 Mesh	3.30
		1/4"	1.58	200 Mesh	2.98
		3/8"	1.24	325 Mesh	3.33

PRESSURE LOSS CALCULATION FORMULA

The pressure drop across the strainer, for water or fluids with a similar viscosity, can be calculated using the formula at the right:

$$\Delta P = \left[\frac{Q}{C_v} \right]^2$$

ΔP = Pressure Drop
 Q = Flow in GPM
 C_v = Flow Coefficient

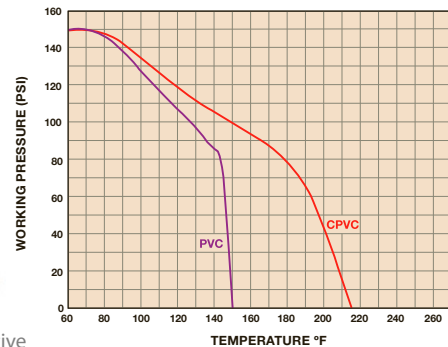
Cv VALUES

SIZE in/DN	Cv VALUES GPM
6/150	1,000
8/200	750

The above Cv Values were determined using a 5/32" perforated plastic basket in 6" and 8" strainers.

To calculate pressure drop through vessels using other than 5/32" perforated baskets, first calculate the pressure drop using the listed Cv, and then multiply the result by the correction factor in the Correction Factors chart to the left.

OPERATING TEMPERATURE/PRESSURE



Authorized Eaton Filtration Distributor & Representative

For pricing and information please call
 Commercial Filtration Supply at (855)-236-0467

Visit us Online at: www.commercialfiltrationsupply.com

for more filtration products.