



## CFLV Series Cartridge Filters

SINGLE AND DOUBLE LENGTH

### KEY FEATURES

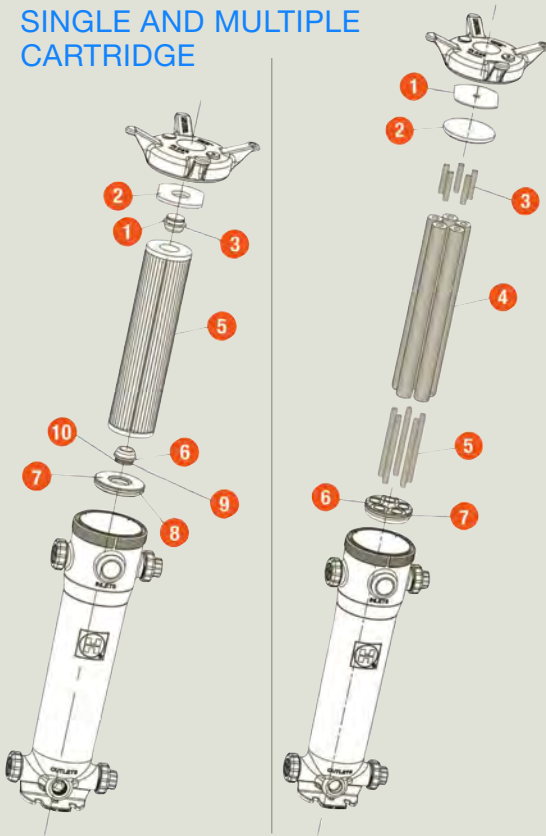
- Platinum GFPP Material
- One-Piece Injection Molded Construction
- Hand Removable Ergonomic Cover with Liquid Displacing Dome
- Vent Valve on Cover
- In-Line or Loop Configuration
- Drain Port at Bottom
- Integral Mounting Base

### OPTIONS

- Vent Gauge with Gauge Guard
- Pressure Differential Gauge and Switch
- EPDM O-Rings
- Cartridge Adapters

## TECHNICAL INFORMATION

### EXPLODED VIEWS SINGLE AND MULTIPLE CARTRIDGE



### SELECTION CHART

SIZE	MATERIAL	END CONNECTIONS	PIPING SIZES	SEALS	PRESSURE RATING
Single Length 7' x 16"	GFPP	GFPP (Threaded and Flanged), PVC (Socket and Flanged) or CPVC (Socket and Flanged)	1-1/4" - 2"/32-50 @ 100 GPM	FPM or EPDM	150 PSI @ 70°F Non-Shock
Double Length 7' x 32"			1-1/4" - 2"/32-50 @ 100 GPM		
Double Length 7' x 32"			2-1/2"-4"/65-100 @ 150 GPM		

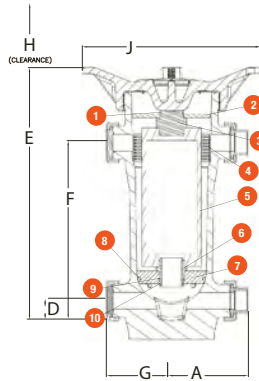
# CFLV Series Cartridge Filters

SINGLE AND DOUBLE LENGTH

## TECHNICAL INFORMATION, CONTINUED

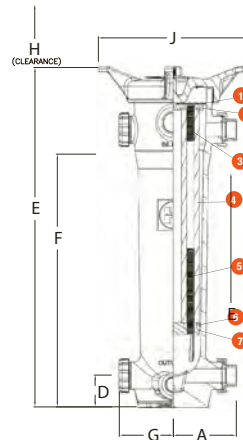
### SINGLE CARTRIDGE PARTS LIST

1. Cartridge Connector Retaining O-Ring
2. Upper Plate
3. Cartridge Connector (Upper)
4. Flow Diffuser
5. Cartridge (not included in kit)
6. Cartridge Connector (Lower)
7. Lower Plate
8. Lower Plate Seal
9. Cartridge Connector Sealing O-Ring
10. Cartridge Connector Retaining O-Ring



### MULTIPLE CARTRIDGE PARTS LIST

1. Anti-Rotation Ring
2. Upper Plate
3. Perforated Tube (Short)
4. Cartridge (not included in kit)
5. Perforated Tube (Long)
6. Lower Plate Seal
7. Lower Plate



### DIMENSIONS – SINGLE LENGTH

FILTER SIZE in / DN	A in / mm	D in / mm	E in / mm	F in / mm	G in / mm	H* in / mm	J in / mm
1-1/4" / 32	8.86 / 225	4.50 / 114	31.83 / 808	23.00 / 584	7.60 / 193	15.25 / 387	20.93 / 532
1-1/2" / 40	8.86 / 225	4.50 / 114	31.83 / 808	23.00 / 584	7.60 / 193	15.25 / 387	20.93 / 532
2" / 50	8.91 / 226	4.50 / 114	31.83 / 808	23.00 / 584	7.60 / 193	15.25 / 387	20.93 / 532

Dimensions are subject to change without notice – consult factory for installation information

\* Clearance from top for basket removal

### DIMENSIONS – DOUBLE LENGTH

FILTER SIZE in / DN	A in / mm	D in / mm	E in / mm	F in / mm	G in / mm	H* in / mm	J in / mm
1-1/4" / 32	8.86 / 225	4.50 / 114	47.83 / 1215	39.00 / 991	7.60 / 193	31.25 / 794	20.93 / 532
1-1/2" / 40	8.86 / 225	4.50 / 114	47.83 / 1215	39.00 / 991	7.60 / 193	31.25 / 794	20.93 / 532
2" / 50	8.91 / 226	4.50 / 114	47.83 / 1215	39.00 / 991	7.60 / 193	31.25 / 794	20.93 / 532
2-1/2" / 65	9.79 / 249	4.50 / 114	47.83 / 1215	39.00 / 991	8.38 / 213	31.25 / 794	20.93 / 532
3" / 80	9.73 / 247	4.50 / 114	47.83 / 1215	39.00 / 991	8.38 / 213	31.25 / 794	20.93 / 532
4" / 100	10.17 / 258	4.50 / 114	47.83 / 1215	39.00 / 991	8.38 / 213	31.25 / 794	20.93 / 532

Dimensions are subject to change without notice – consult factory for installation information

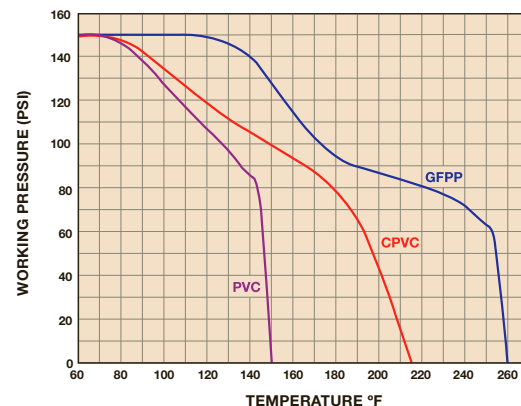
\* Clearance from top for basket removal

### CARTRIDGE ADAPTER SELECTION CHART

CARTRIDGE TYPE	AVAILABLE YES/NO	
	CFLV SINGLE LENGTH	CFLV DOUBLE LENGTH
2-1/2" – 2-3/4" DOE/222XCAP	Yes	Yes
4-1/2" DOE/222XCAP	Yes	Yes
Hayward 7"x16" DOE	Yes	No
Hayward 7"x16" DOE (Double Stacked)	No	Yes
Hayward 7"x30"	No	Yes
7-3/4" DOE	Yes	Yes

Consult Hayward® for Available Cartridges.

### OPERATING TEMPERATURE / PRESSURE



Authorized Eaton Filtration Distributor & Representative

For pricing and information please call  
Commercial Filtration Supply at (855)-236-0467

Visit us Online at: [www.commercialfiltrationsupply.com](http://www.commercialfiltrationsupply.com)  
for more filtration products.