

MAHLE

Industry

Bag Filter Housings Nowata Top Entry MultiPlex WP Series

Available as 2, 3 or 4 Housing Design
Standard Housings are ASME Code

Request a Quote Today!

1. Introduction

The Top Entry Multiplex WP series bag housings are available in valved or non-valved configurations. Isolation valves allow one vessel's filter media to be changed while another is left on-stream filtering. These high quality industrial and commercial service vessels are designed to withstand years of field and plant operation. In applications requiring high volume filtration at moderate efficiency, the Top Entry Multiplex bag housing will provide rugged and dependable service. The design of the housing allows the use of standard and high efficiency bags and a wide variety of o-ring materials with no change in design. This means that whether its filtering hydrocarbons, glycol, coolant, inks or water, the Top Entry Multiplex WP series bag housing will fit the need.

Features

- Standard vessels are ASME code, UM stamped.
(Non-code vessels are also available)
- Standard - all wetted parts 316 stainless steel.
- 150 psi working pressure, temp. 250 °F max.
(Higher temperatures available upon request)
- Adjustable leg assembly and manifold supports allow elevation to be field adjusted.
- For use with standard #2 size bag (7" x 30").
- Designed for use with heavy duty, high efficiency bags and standard thickness conventional bags.
- Stainless steel perforated baskets included with housings.
- Available in valved or non-valved configurations.
- Isolation valves allow one vessel's media to be changed while the another is left on-stream to continue filtering.
- Designed to withstand years of field and plant operation.
- Housing design allows the use of standard and high efficiency bags and a wide variety of o-ring material.



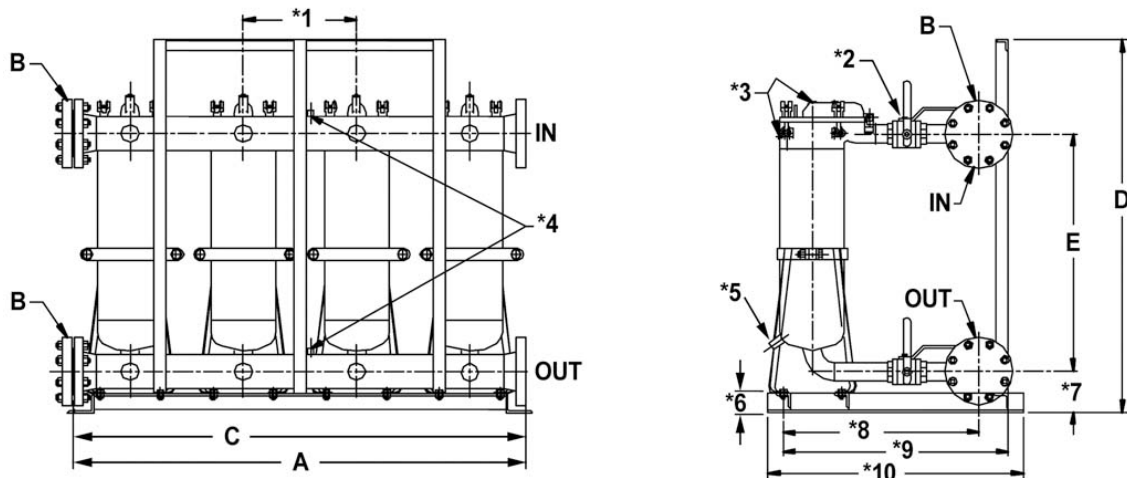
2. Standard Construction

Standard material of construction for the Top Entry MultiPlex WP series bag filter housing is wetted 316 stainless steel. The filter's lid assembly is an investment casting of the same material. The leg skid assembly and bolting are painted or plated carbon steel. Standard o-ring material is Viton in both front and rear seals. The standard drain port for each vessel is 3/4" FNPT, mounted in the bottom of the elliptical head.

There are two 1/4" FNPT vent/gauge ports located at the top of the lid assembly, as well as on the housing inlet and outlet manifold. Both the front and rear o-ring grooves are located on the body of the unit. This allows the o-rings to maintain their placement during bag changeout. Standard baskets are 316 stainless steel. Customized filter baskets are available upon customer request. Housing dimensions will be the same with or without valves.

Model Number	Number of Housings	A	B	C	D	E
WPTU2U31W15	2	40	3" 150#	33-3/4	49-1/2	31-1/2
WPTU3U31W15	3	55	3" 150#	48-3/4	49-1/2	31-1/2
WPTU4U41W15	4	60	4" 150#	59-3/4	49-1/2	31-1/2

Dimensions shown in inches unless otherwise noted. Due to our continuing program of product improvement, specifications are for reference only and subject to change without notice. Dimensions are approximate values and not intended for piping specifications.



Notes:

A = Header face to face

B = Header flange size. Blind flange or inlet/outlet RFWN 150# flange

C = Skid bolt hole centers

D = 49-1/2 inches

E = 31-1/2 inches

*1 = Typically 15 inches

*2 = Ball valves 2 inches

*3 = Gauge port/air vent 1/4 inch FNPT

*4 = DP tap 1/4 inch FNPT

*5 = Drain 3/4 inch

*6 = 2-1/2 inches

*7 = 5-1/2 inches

*8 = 26-1/16 inches

*9 = 30 inches

*10 = 34 inches

3. Typical Model Number

WP	T	U	2	U	3	1	W	15	V
MultiPlex Series	Inlet Location	Material of Construction	Number of Housings	ASME Code	Inlet/Outlet Size	Valves	Inlet/Outlet Header Style	Pressure Rating	O-Ring Material
WP = Top Entry MultiPlex Bag Hsg	T = Top Entry	U = 316 SS Wetted	2 = 2 3 = 3 4 = 4	U = ASME Code N = Non-code	2 = 2" 3 = 3" 4 = 4"	1 = With Valves 0 = No Valves	W = RFWN	15 = 150 PSI	V = Viton N = Buna E = EPDM



Authorized MAHLE-Nowata Distributor & Representative

For pricing and information please call
Commercial Filtration Supply at (855)-236-0467

Visit us Online at: www.commercialfiltrationsupply.com
for more filtration products.