

MAHLE

Industry

Bag Filter Housings Nowata WL Series

Low Profile Design with Spring Assisted Cover Lift

Request a Quote Today!

1. Introduction

The WL series main design features are its reduced height and the spring assisted cover lift. The low profile height makes bag or basket removal much safer and easier since it eliminates the need for ladders, stools or catwalks. The standard spring assisted cover lift makes it easier to open the closure lid and allows the operator to lift with one hand. An optional davit arm is also available.

These filter housings can be used with standard #2 size bags or with the included perforated basket as a strainer. In applications requiring high volume filtration, the WL series, low profile, multi-bag housings will provide rugged and dependable service.

The WL series housing design allows the use of standard and high efficiency bags plus a wide variety of o-ring materials with no change in design.

Features

- The housing's low profile design reduces housing height to make filter bag change-outs easier.
- 2 closure styles available: Standard spring assisted cover lift or optional davit arm
- Spring assisted cover lift allows for quick and easy opening and closing of the housing. This is especially important when opening large diameter housings
- 4 standard models available to accommodate from 3 to 12 filter bags
- Rugged eyebolt cover closures allow for quick opening of the lid for fast, easy change-out of filter bags
- Standard vessels are designed and built to ASME code standards and are ASME U code stamped
- 316 stainless steel construction
- Rated to 150 psi operating pressure, from -20 °F to 400 °F
- Housing accommodates standard #2 bag size (7" x 30")
- Stainless steel perforated baskets included with housing
- Standard housings are stocked for quick delivery



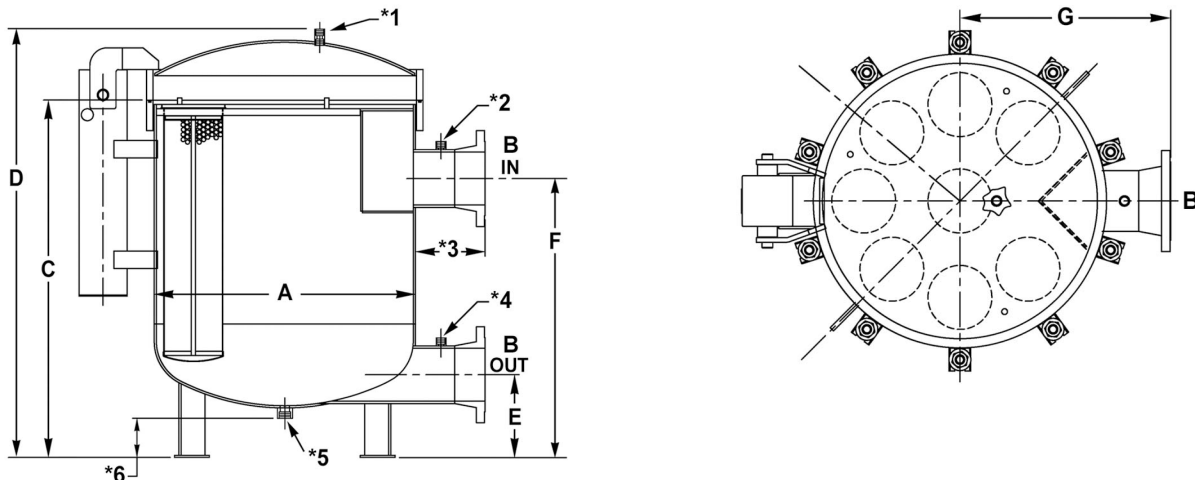
2. Standard Construction

The standard material of construction for the WL series low profile, multi-bag housing is 316 stainless steel. The lid opening mechanism will be either the standard spring assist cover lift or the optional davit arm closure. The standard 1" FNPT drain port for each vessel is mounted in the bottom elliptical.

The inlet and outlet both have 1/2" gauge ports / DP taps for the installation of pressure gauges. The accompanying strainer baskets are made of 316 Stainless Steel. Customized baskets including non-standard perforation sizes and mesh linings are available.

3. Dimensional Information

A	B	C	D	E	F	G	Number of Baskets	Total Filtration Surface Area
18	4	39	45.5	8.5	31	17	3	13.2 sq.ft.
24	6	40.5	48	9.5	31.5	20	6	26.4 sq.ft.
30	6	41	49	9.5	32	23	8	35.2 sq.ft.
36	8	42.5	52	11	31.25	26	12	52.8 sq.ft.



Dimensions shown in inches unless otherwise noted. Dimensions are approximate values and not intended for piping specifications. Due to our continuing program of product improvement, specifications are for reference only and subject to change without notice.

NOTES:

A = Model size outside diameter in inches

B = Inlet and outlet size in inches

*1 = Vent 1/2 inch

*2 = DP tap 1/2 inch

*3 = 8 inches typical

*4 = DP tap 1/2 inch

*5 = Drain 1 inch

*6 = 4-1/2 inches ref.

Required clearance for basket removal is approximately 80 inches. Total Filtration Surface Area is approximate.

4. Typical Model Number

WL	36	H	U	30	C	15	W	8	N	S
Low Profile Bag Series	Outside Diameter	Closure Style	Material of Construction	Basket Depth	ASME Code	Max. Pressure Rating	Inlet & Outlet Style	Inlet & Outlet Size	O-Ring Material	Outlet Location



Authorized MAHLE-Nowata Distributor & Representative

For pricing and information please call
Commercial Filtration Supply at (855)-236-0467

Visit us Online at: www.commercialfiltrationsupply.com
for more filtration products.