

Get a Price Quote Today!

PROLINE 100™ Series HE Multi-Bag Filter Housing



PROLINE 100 Series HE multi-bag filter housing with 8 filter bag capacity

The most competitively priced multi-bag filter housing Eaton has to offer

Eaton's PROLINE 100 Series HE multi-bag filter housing offers the most cost-effective solution to multi-bag units requirements' for a wide variety of filtration applications where a code stamp is not needed.

This multi-bag filter housing is equipped with a proven and easy-to-use rugged eye-bolt cover closure. Units are available in 4, 6 and 8 filter bag configurations and come standard with filter bag size 02 stainless steel restrainer baskets.

Features

- 6.9 bar, non-code bag filter housing, for a wide variety of filtration applications
- Low profile design with side inlet and tangential outlet provides easy and full drainage and reduces housing height to make filter bag change-outs easier. No need for ladders, stools or catwalks

- Positive O-ring sealing provides bypass-free, safe filtration while the unique 3-point hold down ensures a high-quality seal between each filter bag and the housing body
- A counter-balanced, spring-assisted cover lifting mechanism allows for quick and easy opening of even large covers by one person
- 304 stainless steel construction with bead-blast, external finish
- 150# RF flanged inlet and outlet ports for side inlet and tangential outlet configuration
- Heavy-duty stainless steel mounting legs are included

Options

- Available as in-line or loop piping configuration (shown)
- Buna-N® O-rings for the cover are standard. EPDM, Viton®, PTFE encapsulated Viton or silicone rubber seals and gaskets are available

Available in the US only. Viton® is a registered trademark of E. I. du Pont de Nemours and company

PROLINE 100 Series HE multi-bag filter housing with 4 bag capacity



EATON

Powering Business Worldwide

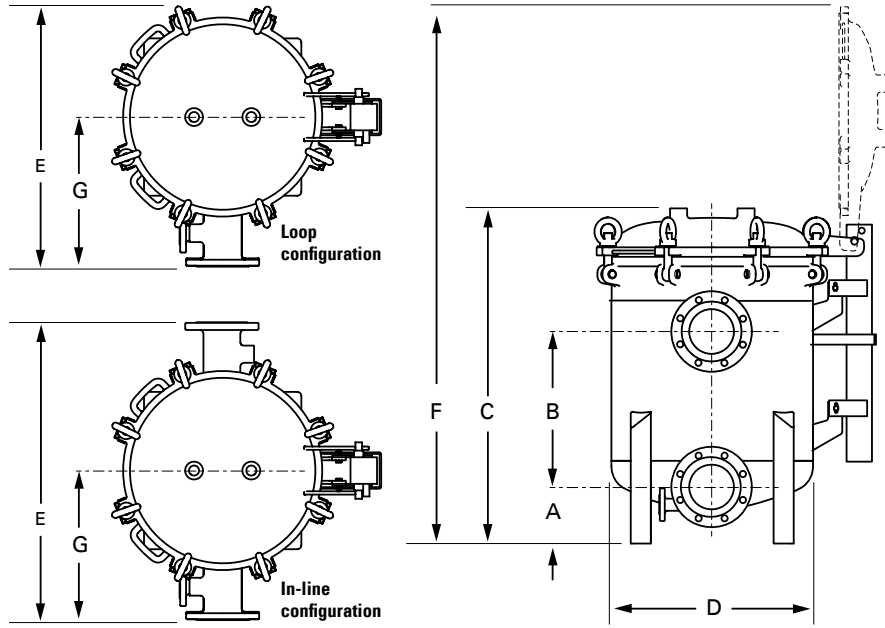
PROLINE 100 Series HE Multi-Bag Filter Housing

Applications

- Coarse filtration > 500 µm ✓
- Medium filtration > 10 µm ✓
- Fine filtration < 10 µm ✓

- Pre-filtration ✓
- Safety filtration ✓
- High volume ✓
- Batch filtration ✓
- Circuit filtration ✓
- Continuous filtration

- Solvents, paints ✓
- Fats and oils ✓
- Catalyst, activated carbon
- Acids, bases ✓
- Petrochemicals ✓
- Water, waste water ✓
- Chemical industry ✓
- Pharmaceuticals
- Metal cleaning ✓
- Automotive ✓
- Electronics
- Food and beverage
- Paint and lacquer ✓
- Water treatment ✓
- Galvanic industry



Dimensions - inch (mm)

Model	A	B	C	D	E	F	G
PMBF-0402-BB07-040A-NT-11HE	10.00 (254)	20.75 (527)	46.44 (1,180)	22.00 (559)	35.50 (901)	71.19 (1,808)	17.75 (451)
PMBF-0402-BB07-040A-NT-11HE-L	10.00 (254)	20.75 (527)	46.44 (1,180)	22.00 (559)	30.88 (784)	71.19 (1,808)	17.75 (451)
PMBF-0602-BB07-060A-NT-11HE	7.88 (200)	20.81 (529)	48.00 (1,219)	31.50 (800)	47.00 (1,194)	79.00 (2,007)	23.50 (597)
PMBF-0602-BB07-060A-NT-11HE-L	7.88 (200)	20.81 (529)	48.00 (1,219)	31.50 (800)	42.75 (1,085)	79.00 (2,007)	23.50 (597)
PMBF-0802-BB07-060A-NT-11HE	7.88 (200)	20.81 (529)	48.00 (1,219)	31.50 (800)	47.00 (1,194)	79.00 (2,007)	23.50 (597)
PMBF-0802-BB07-060A-NT-11HE-L	7.88 (200)	20.81 (529)	48.00 (1,219)	31.50 (800)	42.75 (1,085)	79.00 (2,007)	23.50 (597)

Dimensions for reference only and approximate. Exact dimensions for installation purposes available on request.
Metric measures represent comparable products produced for EMEA and may not be an exact conversions.

Technical data

Models	No. of filter bags	Size	Flow rate ¹ m ³ /h	Max. pressure bar	Max. temp. °C	Housing volume l	Housing weight kg	I/O connections
PMBF-0402-BB07-040A-NT-11HE	4	2	91	6	80	212	180	4" in-line
PMBF-0402-BB07-040A-NT-11HE-L	4	2	91	6	80	212	180	4" loop
PMBF-0602-BB07-060A-NT-11HE	6	2	204	6	80	454	286	6" in-line
PMBF-0602-BB07-060A-NT-11HE-L	6	2	204	6	80	454	286	6" loop
PMBF-0802-BB07-060A-NT-11HE	8	2	204	6	80	454	296	6" in-line
PMBF-0802-BB07-060A-NT-11HE-L	8	2	204	6	80	454	296	6" loop

¹ Maximum theoretical flow based on water viscosity, filter bag specific.



A Division of Commercial Industrial Supply
For pricing and information please call
Commercial Filtration Supply at (855)-236-0467

Request a Quote Today



Powering Business Worldwide

EN
EF-FBH-04
10-2014

© 2014 Eaton. All rights reserved. All trademarks and registered trademarks are the property of their respective owners. All information and recommendations appearing in this brochure concerning the use of products described herein are based on tests believed to be reliable. However, it is the user's responsibility to determine the suitability for his own use of such products. Since the actual use by others is beyond our control, no guarantee, expressed or implied, is made by Eaton as to the effects of such use or the results to be obtained. Eaton assumes no liability arising out of the use by others of such products. Nor is the information herein to be construed as absolutely complete, since additional information may be necessary or desirable when particular or exceptional conditions or circumstances exist or because of applicable laws or government regulations.

